

AlGaAs/GaAs Infrared Chip ---TK0109IRA

1. Scope

- The specification applies to AlGaAs infrared chips.
- Type : TK0109IRA.

2. Structure

- AlGaAs/GaAs infrared chip.
- P/N mesa type.
- No roughing type.
- Electrode P (anode) side : Aluminum or Gold.
- Electrode N (cathode) side : Gold alloy.

3. Size

- Chip size : $225\mu\text{m} \times 225\mu\text{m}$
- Chip height : $250\mu\text{m} \pm 30\mu\text{m}$
- Pattern drawing : per fig. 1

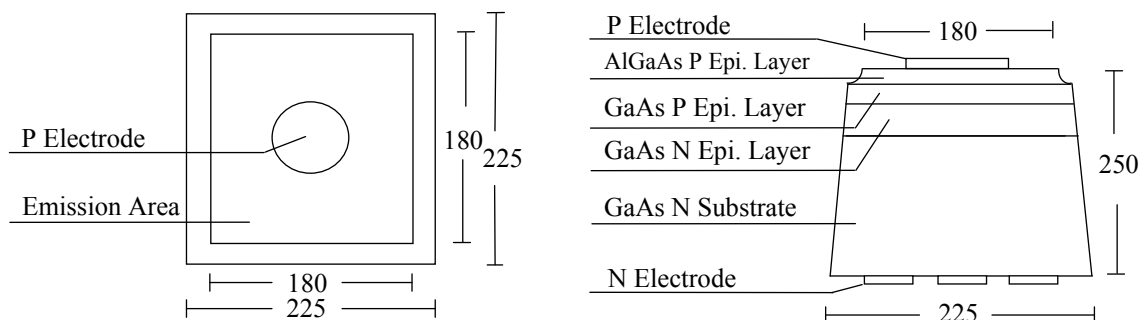
4. Electro-Optical Characteristics

($T_a = +25^\circ\text{C}$)

Parameter	Symbol	Condition	Min.	Typ.	Max.	Unit
Forward Voltage	V_F	$I_F = 20\text{mA}$		1.25	1.30	V
Reverse Voltage	V_R	$I_R = 10\mu\text{A}$	5			V
Radiant Power	P_O	$I_F = 20\text{mA}$	1.3			mw
Peak Wavelength	λ_p	$I_F = 20\text{mA}$		940		nm
Spectrum Width of Half Value	$\Delta\lambda$	$I_F = 20\text{mA}$		50		nm

5. Application

- Remote control, Receiver module.



Unit : μm

fig. 1

2015.Mar



TYNTEK Head Office
 TYNTEK Chunan Branch
<http://www.tyntek.com.tw>

Tel : 886-3-5781616

Tel : 886-37-582997

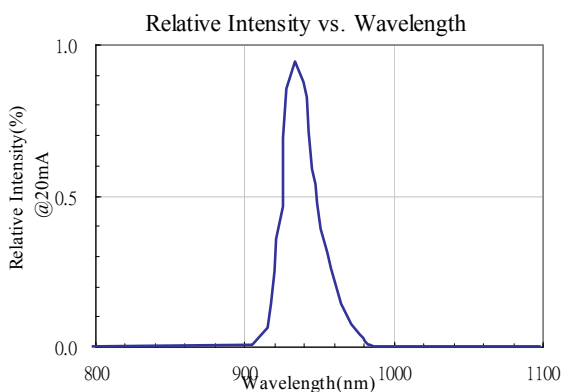
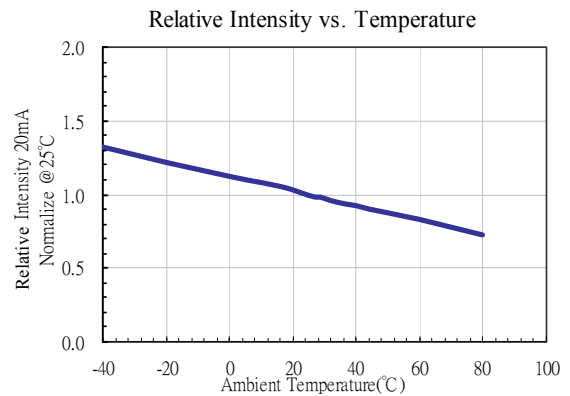
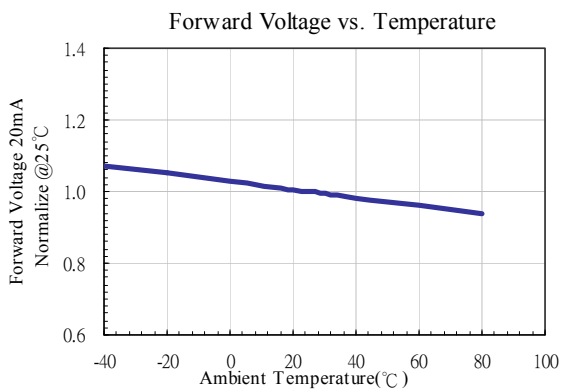
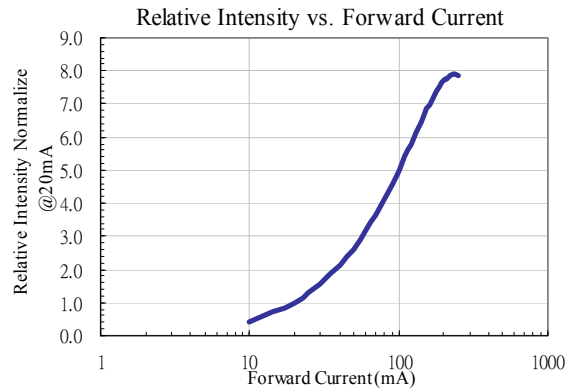
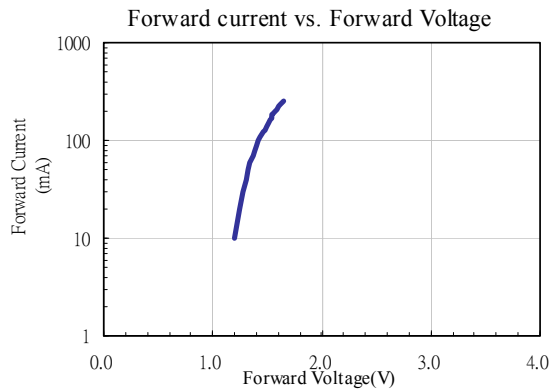
E-mail : service@serv.tyntek.com.tw

Fax : 886-3-5780545

Fax : 886-37-582908

AlGaAs/GaAs Infrared Chip ---TK0109IRA

Electro-Optical Characteristics Curve



TYNTEK Head Office
 TYNTEK Chunan Branch
<http://www.tyntek.com.tw>

Tel : 886-3-5781616 Fax : 886-3-5780545
Tel : 886-37-582997 Fax : 886-37-582908
E-mail : service@serv.tyntek.com.tw