

GaAsP/GaP Yellow Chip ---TK0108HYN

1. Scope

- The specification applies to GaAsP LED chips.
- Type : TK0108HYN.

2. Structure

- GaAsP/GaP yellow LED chip.
- P/N mesa type.
- Electrode P (anode) side : Aluminum or Gold.
- Electrode N (cathode) side : Gold alloy.

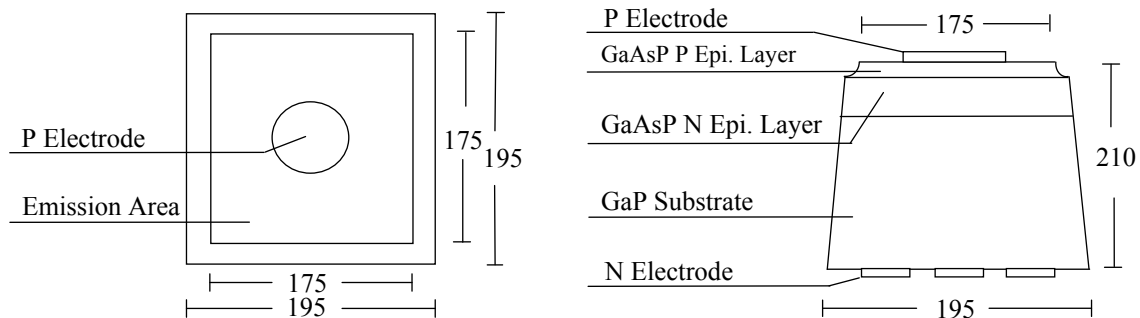
3. Size

- Chip size : $195\mu\text{m} \times 195\mu\text{m}$
- Chip height : $210\mu\text{m} \pm 30\mu\text{m}$
- Pattern drawing : per fig. 1

4. Electro-Optical Characteristics

($T_a = +25^\circ\text{C}$)

Parameter	Symbol	Condition	Min.	Typ.	Max.	Unit
Forward Voltage	V_F	$I_F = 20\text{mA}$		2.20	2.50	V
Reverse Current	I_R	$V_R = 5\text{V}$			10	μA
Luminous Intensity	I_V	$I_F = 20\text{mA}$	2.5	※		mcd
Wavelength	λ_p / λ_d	$I_F = 20\text{mA}$		583/585		nm
Spectrum Width of Half Value	$\Delta \lambda$	$I_F = 20\text{mA}$		32		nm



Unit : μm

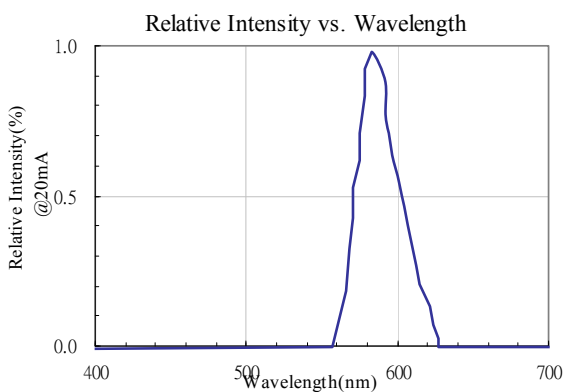
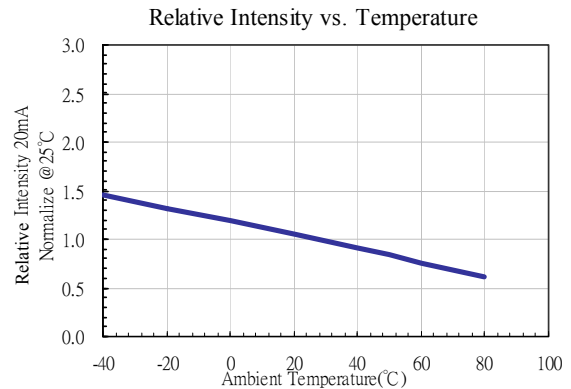
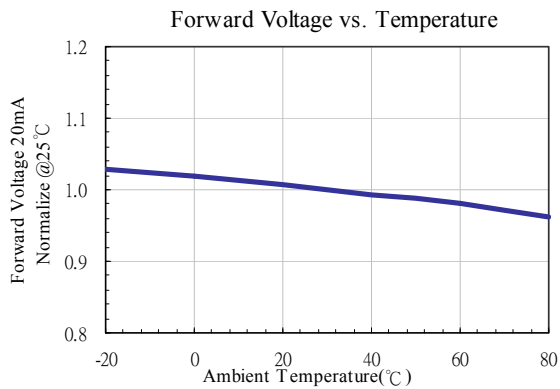
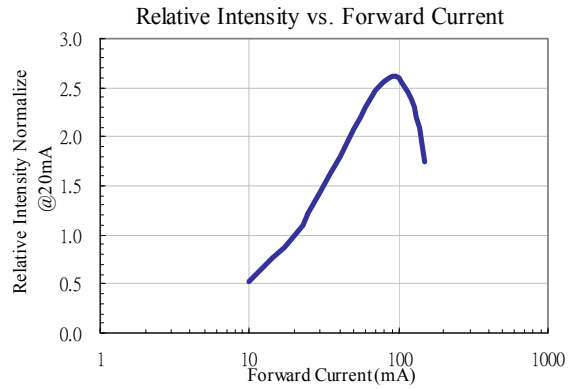
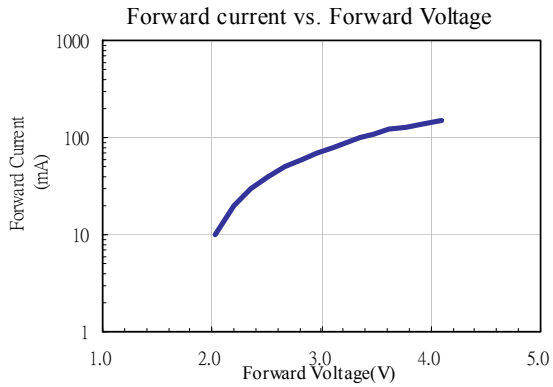
fig. 1

2012.May



GaAsP/GaP Yellow Chip ---TK0108HYN

Electro-Optical Characteristics Curve



TYNTEK Head Office
 TYNTEK Chunan Branch
[http : //www.tyntek.com.tw](http://www.tyntek.com.tw)

Tel : 886-3-5781616
Tel : 886-37-582997

Fax : 886-3-5780545
Fax : 886-37-582908

E-mail : service@serv.tyntek.com.tw